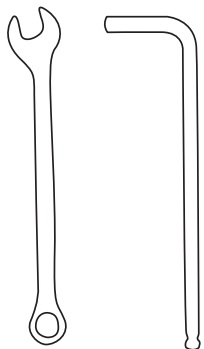
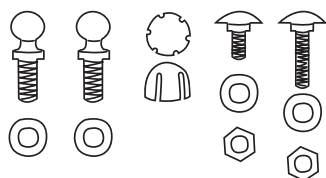


How to use your Scoot?

Required tools:



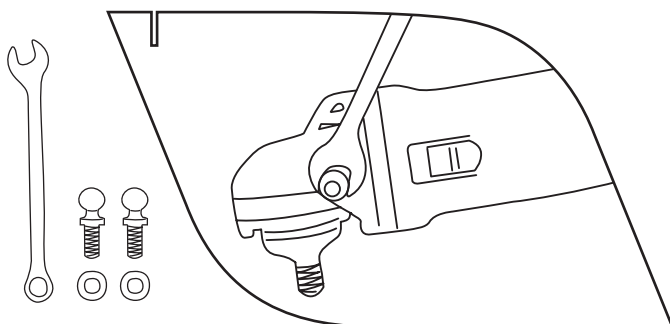
Equipement needed:



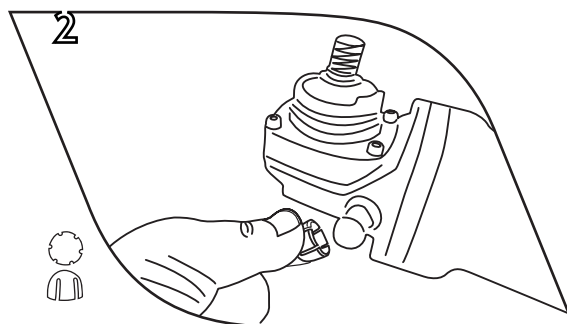
Make sure that your grinder is unplugged when you proceed to the Scoot assembly



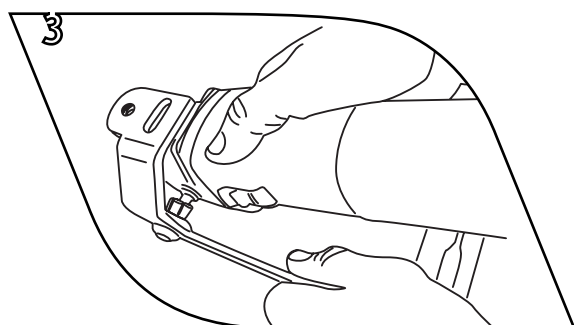
Flash the QR code or visit our website www.autourdubeton.com/type/scoot-machines/ to consult the installation online!



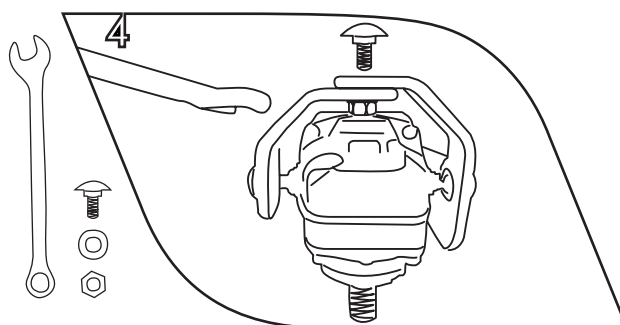
Screw the spherical bearings on each side of the grinder using a spanner.



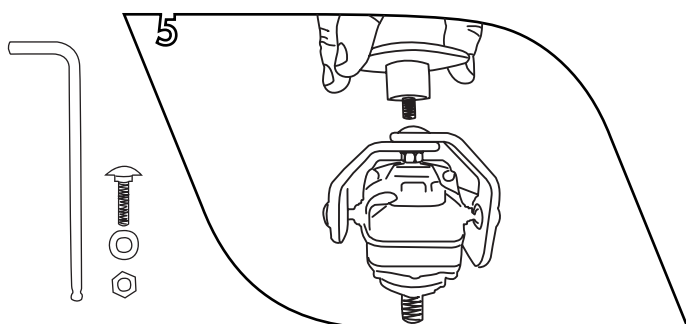
Fit the two plastic rings on both spherical bearings.



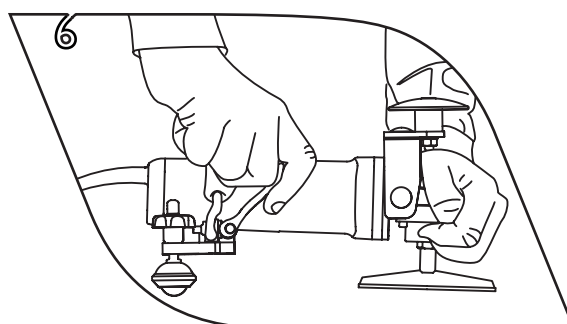
Clip the Scoot on each side of the grinder.



Use the short screw to assemble the two parts of the Scoot.



Screw the handle with shock absorber on top.



The last step is to calibrate the Scoot/grinder assembly:

- Place on a flat surface,
- Press the head of your grinder with one hand,
- Release the break,
- Position the block against the back of your grinder,
- Re-clamp the break.